



LEFROY BROOKS

1 8 2 8 T R O U T M A N S T R E E T
R I D G E W O O D N E W Y O R K N Y 1 1 3 8 5 U S A
T: +1(718) 302 5292 F: +1(718) 302 4177

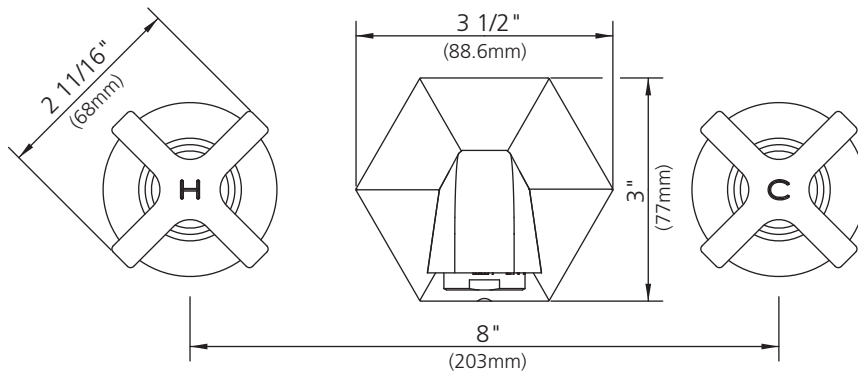
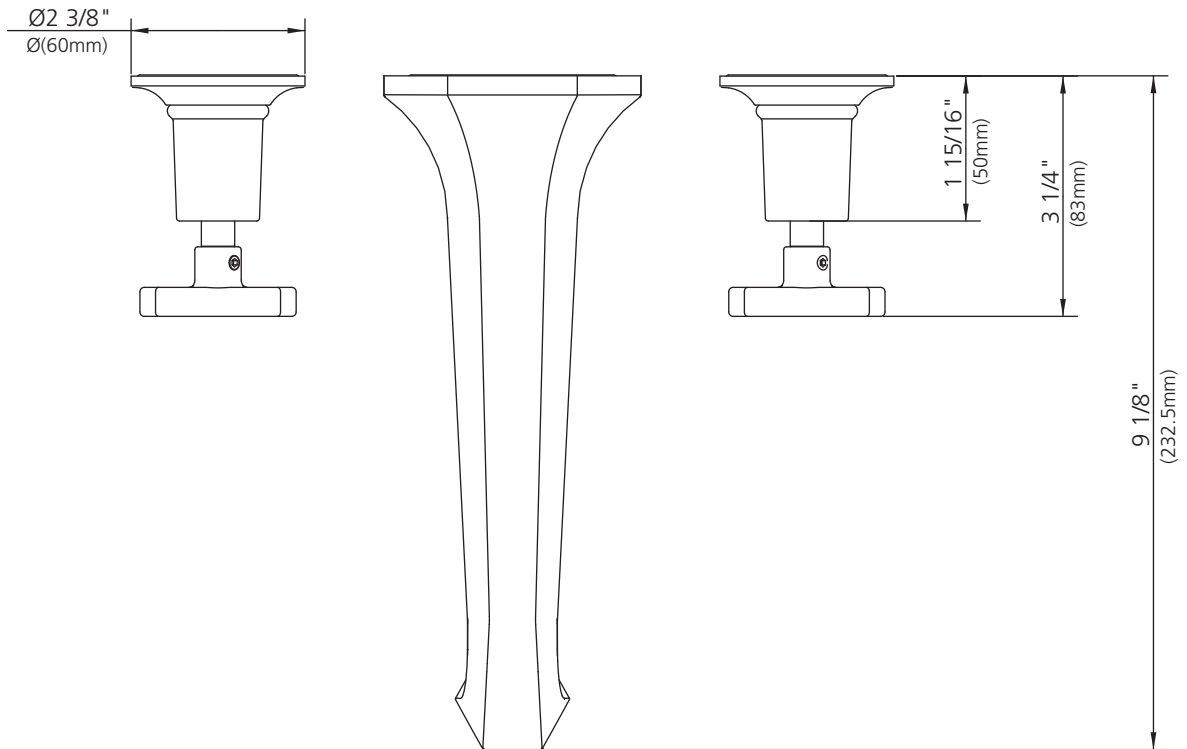
M1-2400 (MH1270)

CROSS HANDLE WALL-MOUNTED 3-HOLE BATH FILLER TRIM ONLY,
TO SUIT R1-4035 ROUGH

DIMENSIONAL DATA SHEET

DATE: 27 June 2012

No: A66F527

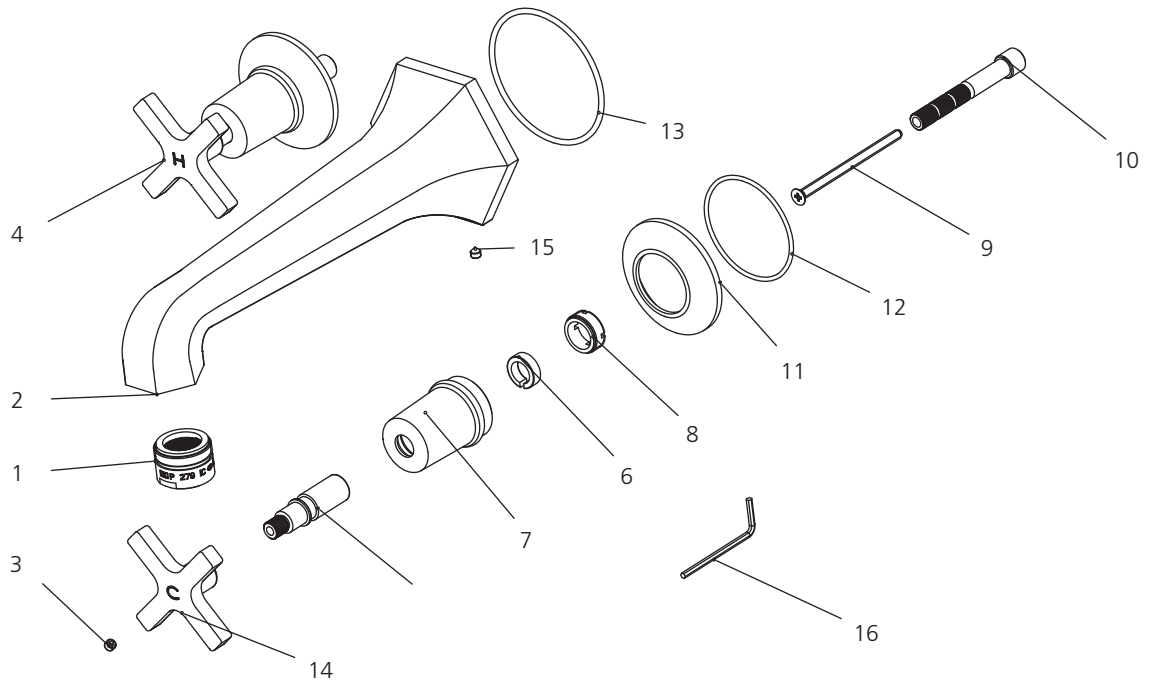


DIMENSIONS IN INCHES & MILLIMETRES

WHILST EVERY EFFORT IS MADE TO ENSURE THE ACCURACY OF THESE DATA SHEETS THEY ARE SUBJECT TO CHANGE WITHOUT NOTICE AS PART OF THE COMPANY'S PRODUCT DEVELOPMENT PROCESS

M1-2400 (MH1270)

CROSS HANDLE WALL-MOUNTED 3-HOLE BATH FILLER TRIM ONLY, TO SUIT R1-4035 ROUGH



- | | | | |
|---|------------------------|----|-------------------------|
| 1 | Aerator (500765) | 9 | Screw (075043) |
| 2 | Spout (118507) | 10 | Stem extension (110490) |
| 3 | Set screw (292598) | 11 | Escutcheon (071325) |
| 4 | Handle (H) (029685H) | 12 | O-ring (004640N) |
| 5 | Adaptor (067773) | 13 | O-ring (063030) |
| 6 | Clip (012242) | 14 | Handle (C) (029685C) |
| 7 | Canopy (018014) | 15 | Set screw (008701) |
| 8 | Adaptor (057507) | 16 | Allen Key (031000) |

Standards

IAPMO/cUPC Listed
Meets A112.18.1